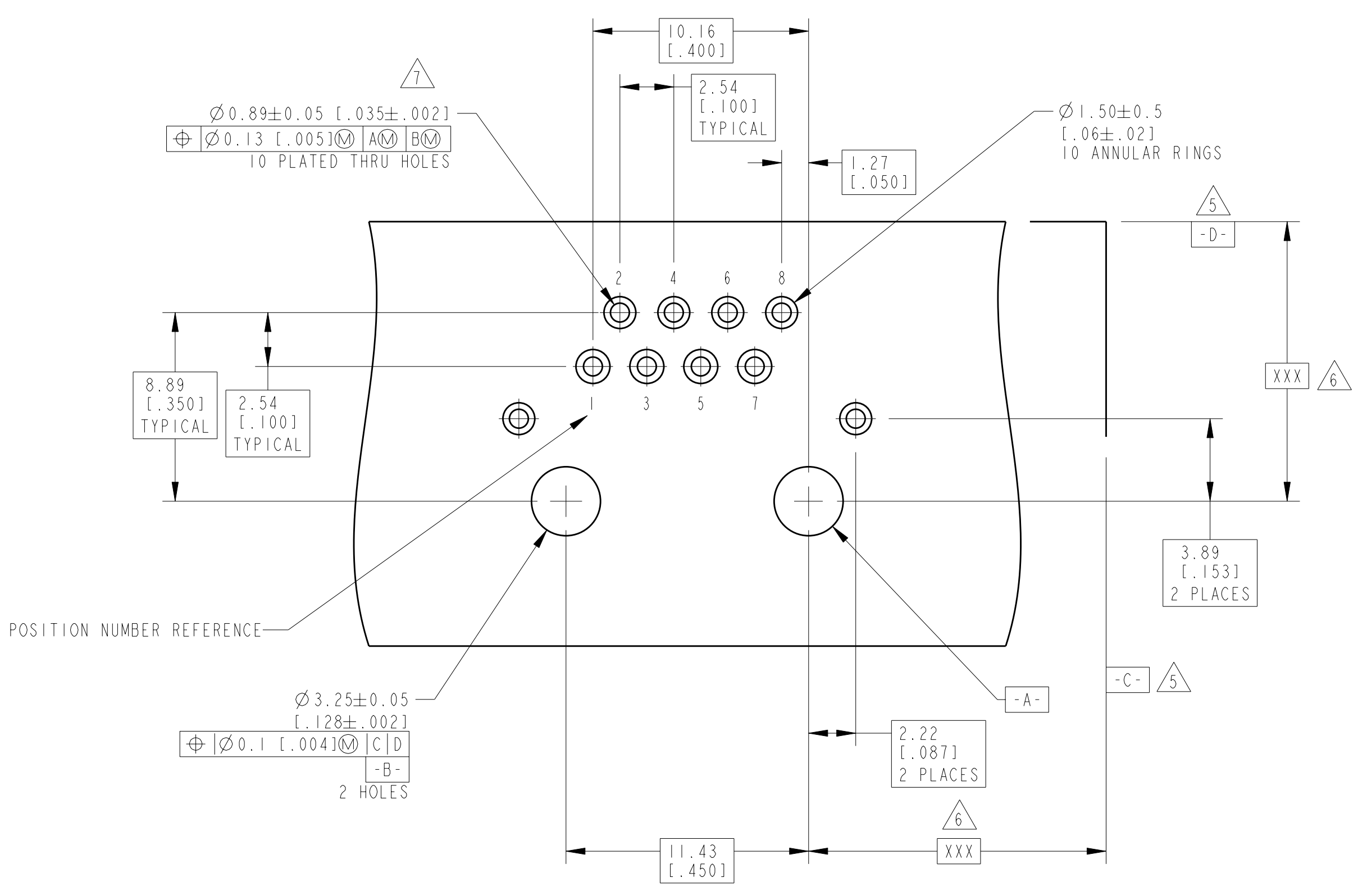
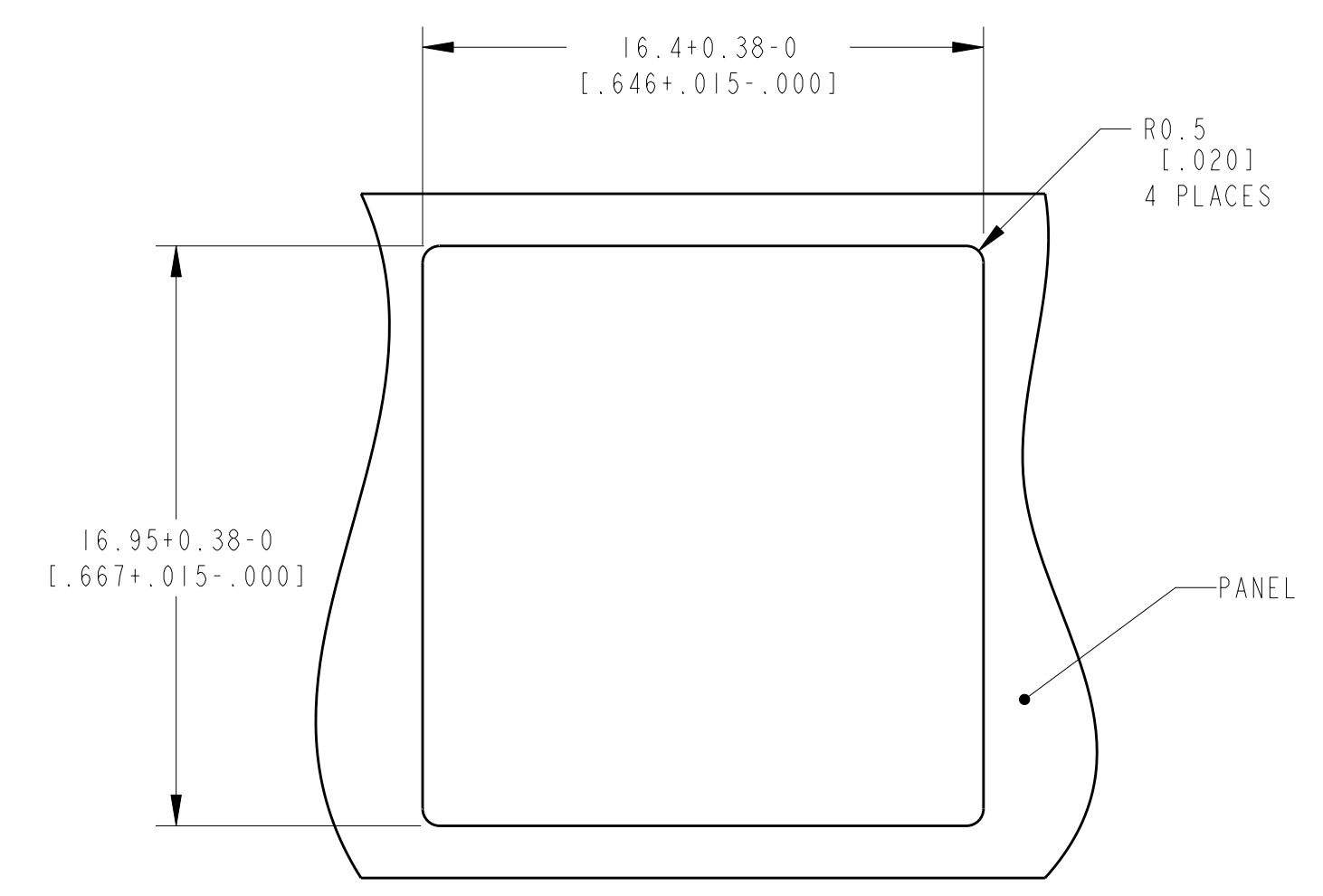
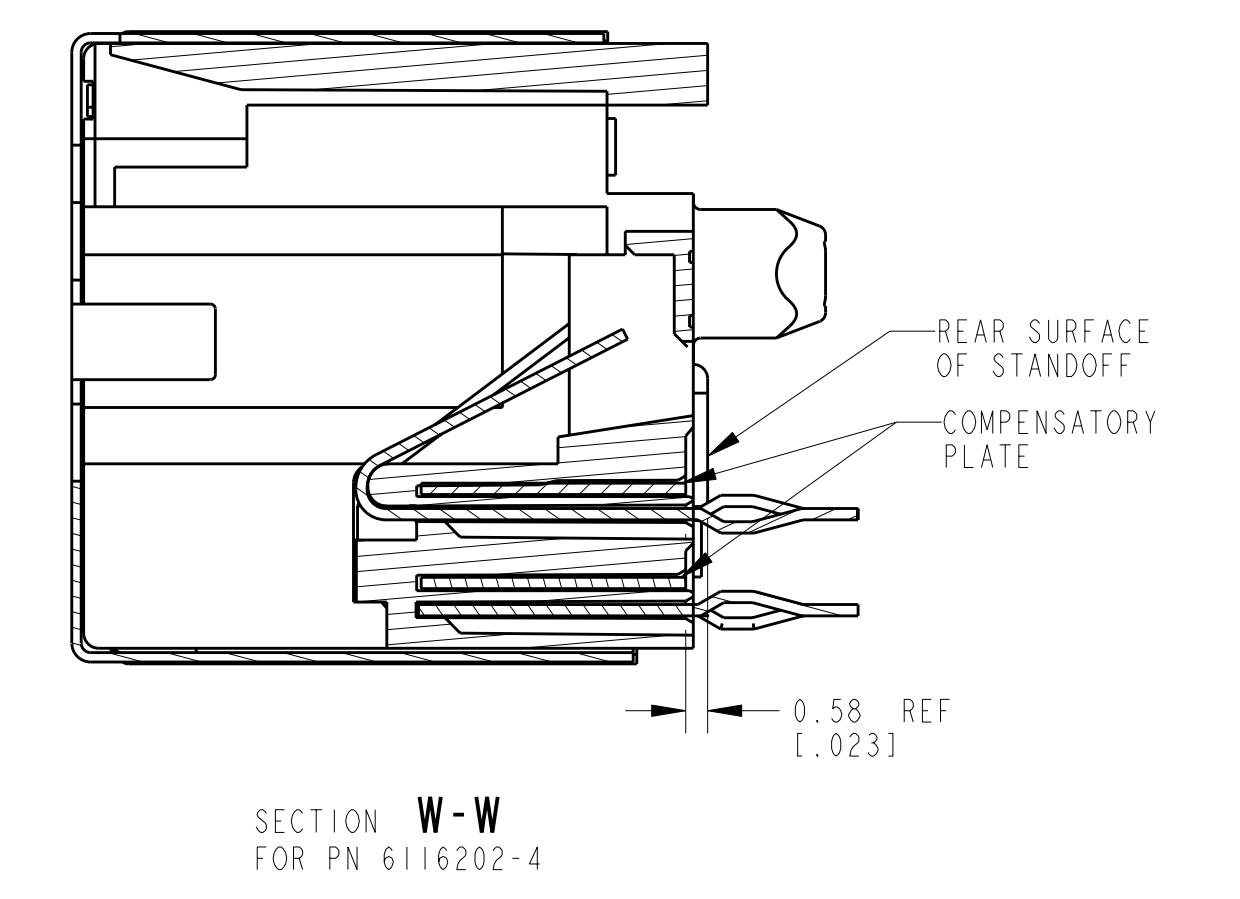
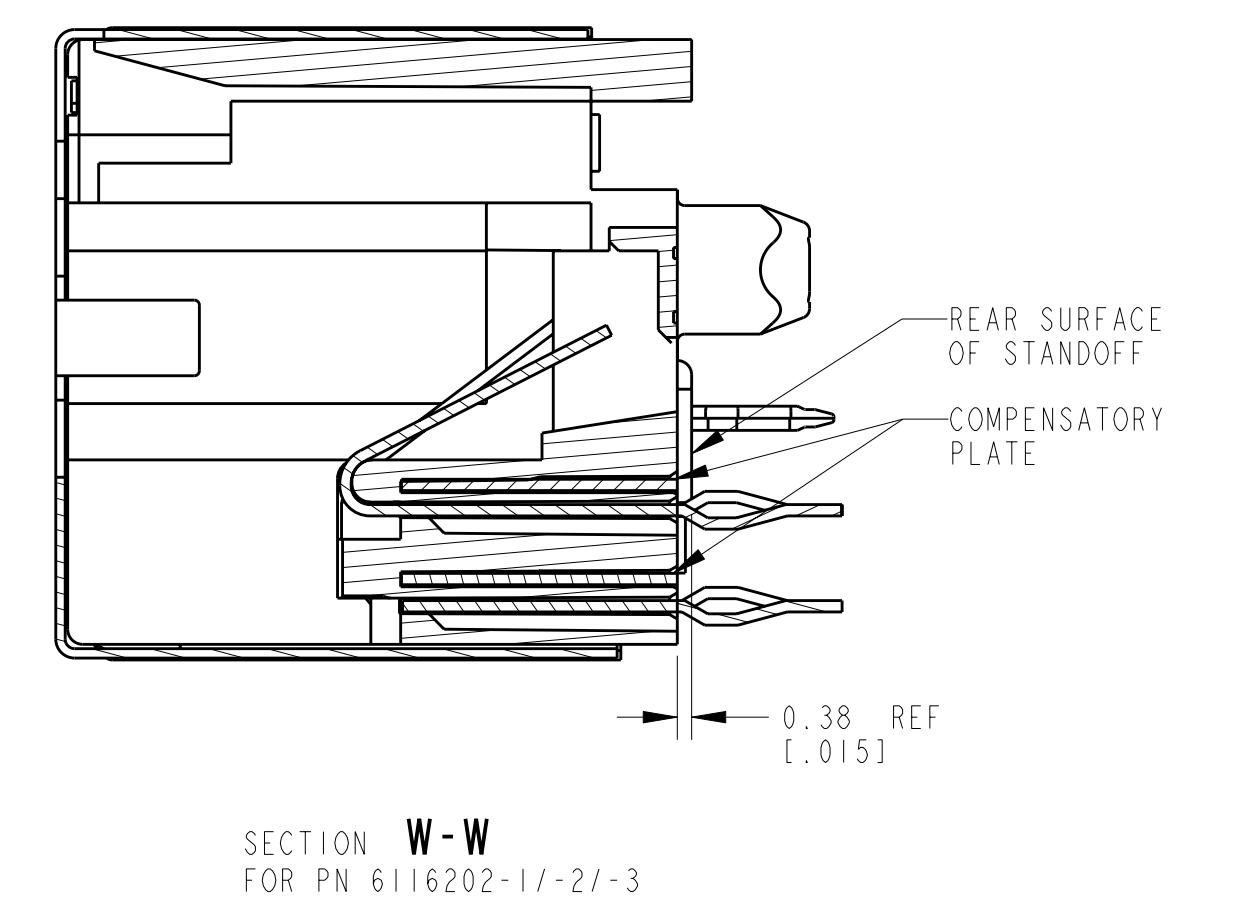
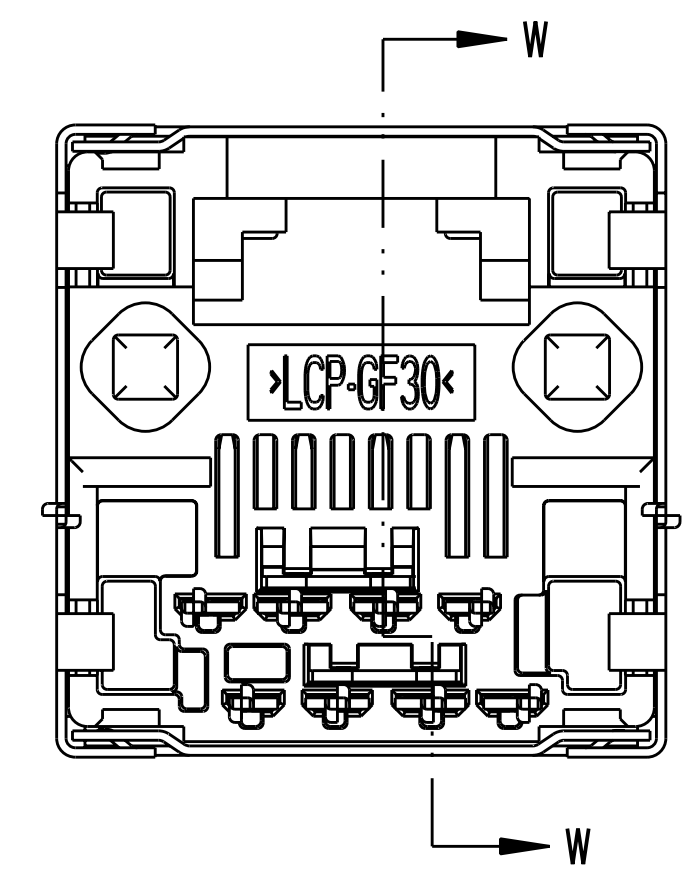
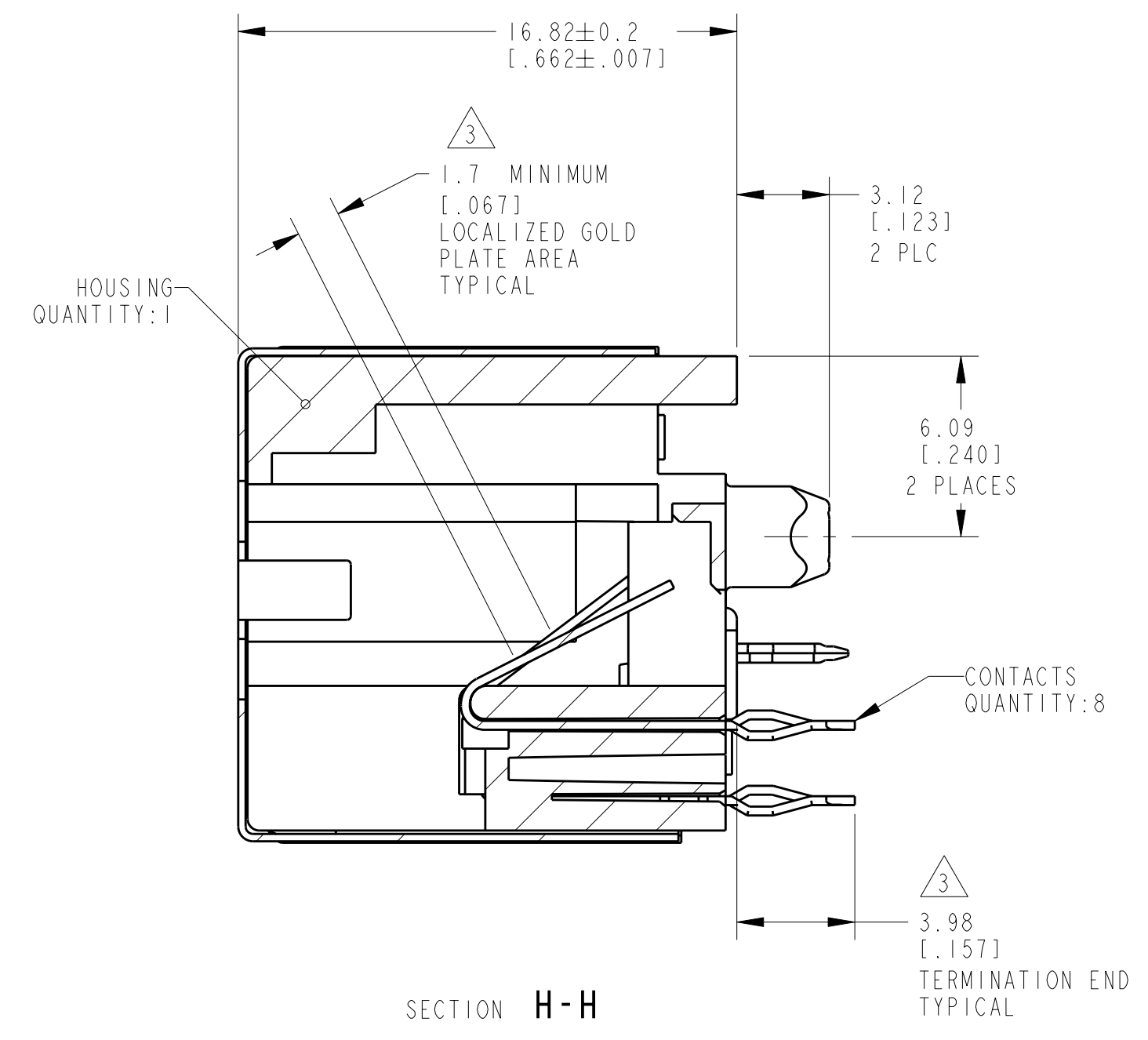
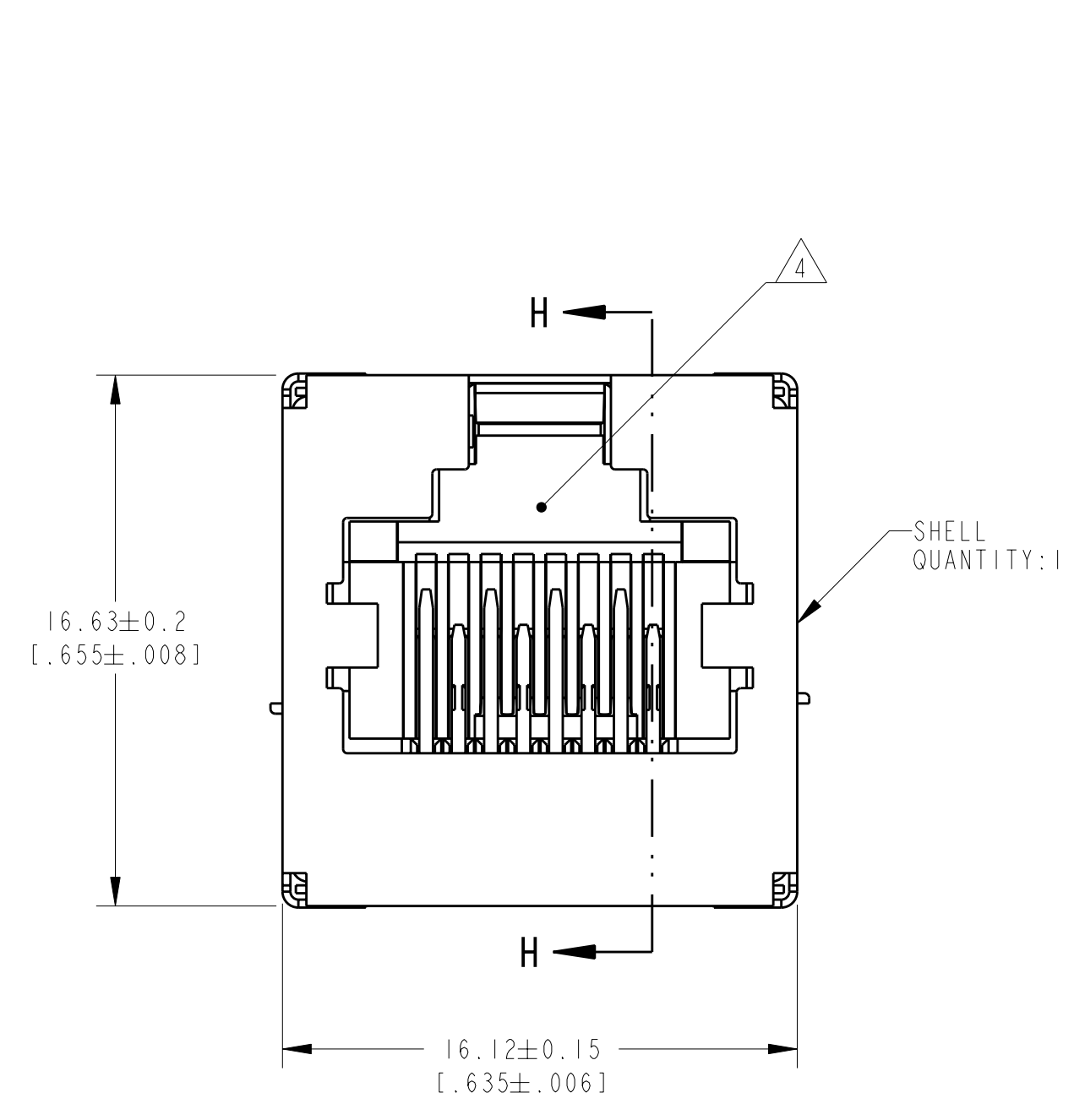
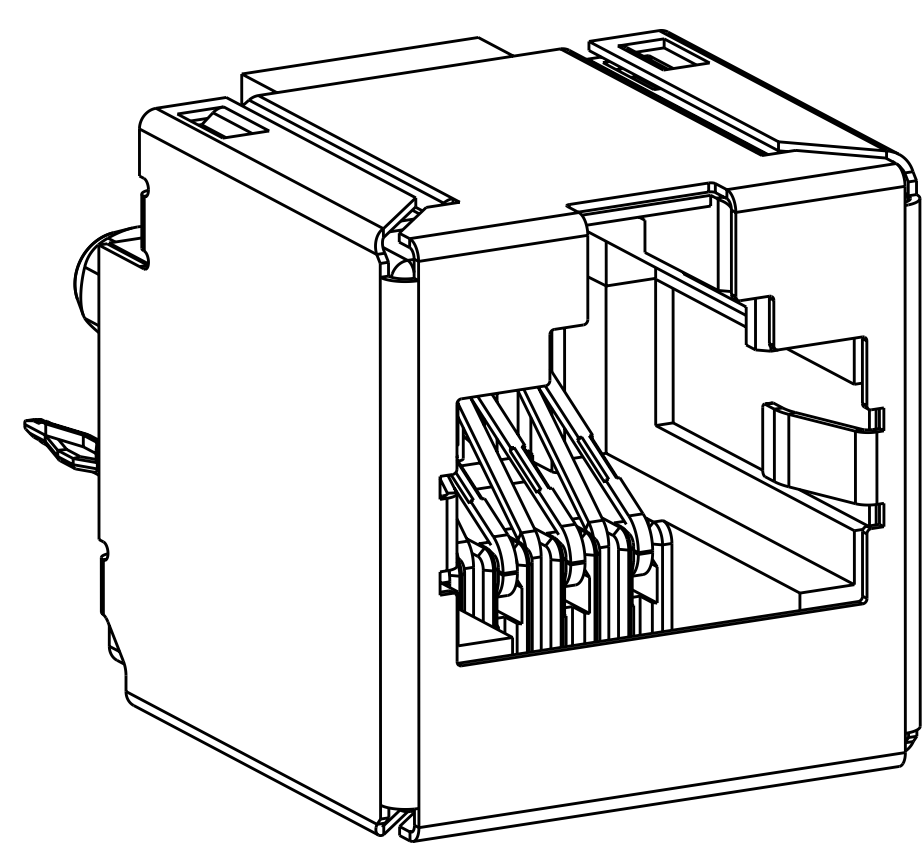


LOC	DIST	REV	DATE	BY	CHKD	APVD
AA	22	D3	18MAR2011	RK	HMR	
		E	22SEP2011	JJ	MOW	



RECOMMENDED PRINTED CIRCUIT BOARD LAYOUT  
 RECOMMENDED PRINTED CIRCUIT BOARD THICKNESS 1.41±0.051 MIN  
 COMPONENT SIDE OF PRINTED CIRCUIT BOARD

RECOMMENDED PANEL CUTOUT



- 1 THERMOPLASTIC.
- 2 PHOSPHOR BRONZE
- 3 1.27 um [.000050] MIN GOLD IN LOCALIZED GOLD PLATE AREA, 2 um [.000079] MIN MATTE TIN ON TERMINATION END, BOTH OVER 1.27 um [.000050] MIN NICKEL.
- 4 CAVITY CONFORMS TO FCC 47 CFR 68 PART F.
- 5 DATUMS ESTABLISHED BY CUSTOMER.
- 6 DIMENSIONS ESTABLISHED BY CUSTOMER.
- 7 DRILLED HOLE DIAMETER 1.02±0.03 [.040±.001]. COPPER THK 0.03-0.08 [.001-.003]. TIN THICKNESS 8 um [.000315] MIN.
- 8 COPPER ZINC ALLOY
- 9 2.03 um [.000080] MIN BRIGHT TIN OVER 1.27 um [.000050] MIN NICKEL
- 10 PC BOARDS GREATER THAN 1.57 [1.062] IN THICKNESS MAY REQUIRE SPECIAL EXTRACTION TOOLING, CONSULT ENGINEERING.
- 11 PACKAGED 29 PIECES PER TUBE
- 12 PACKAGED 27 PIECES PER TUBE
- 13 WITH IMPROVED CHAMFERS ON TERMINAL EDGES.
- 14 WITHOUT COMPENSATORY PLATE

REV	DESCRIPTION	DATE	BY	CHKD	APVD
1	NATURAL	6116202-6			
2	NATURAL	6116202-5			
3	BLACK	6116202-4			
4	NATURAL	6116202-3			
5	NATURAL	6116202-2			
6	BLACK	6116202-1			

THIS DRAWING IS A CONTROLLED DOCUMENT.		DWN 20APR2005		TE Connectivity	
DIMENSIONS: mm [INCHES]		MATERIAL		CUSTOMER DRAWING	
TOLERANCES UNLESS OTHERWISE SPECIFIED:		FINISH		SCALE 5:1	
9 PLC ±		3		SHEET 1 OF 1	
1 PLC ±0.3 [1.023]		4		REV E	
5 PLC ±0.13 [1.005]		5			
4 PLC ±		6			
ANGLES ±		7			
WEIGHT		8			
SIZE CAGE CODE DRAWING NO		9			
A1 00779 C=6116202		10			